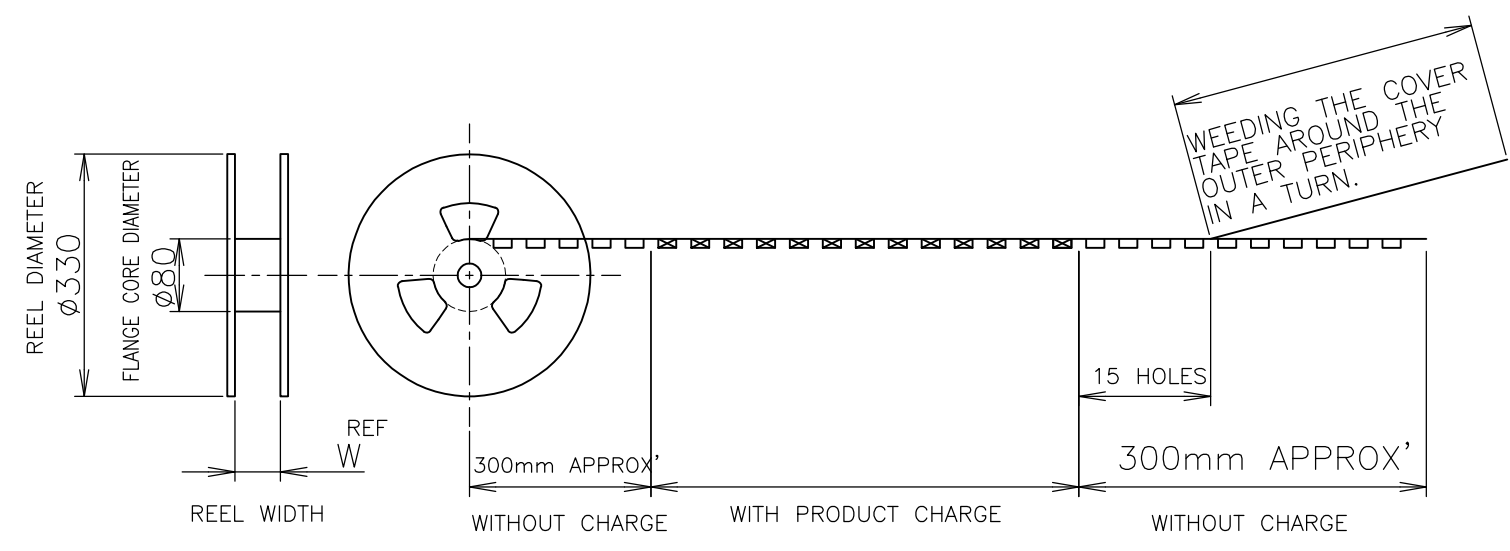
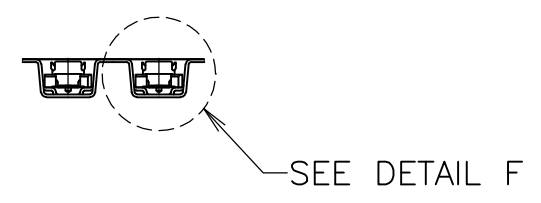
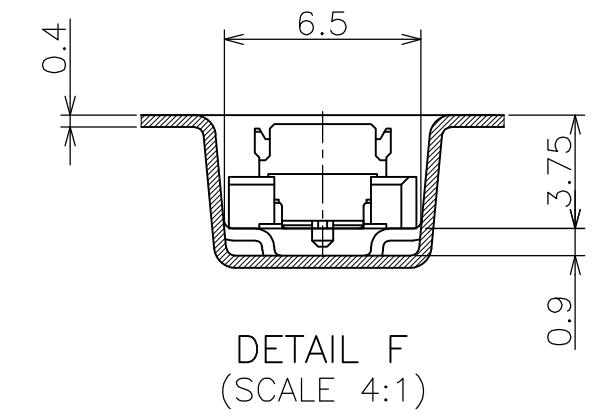
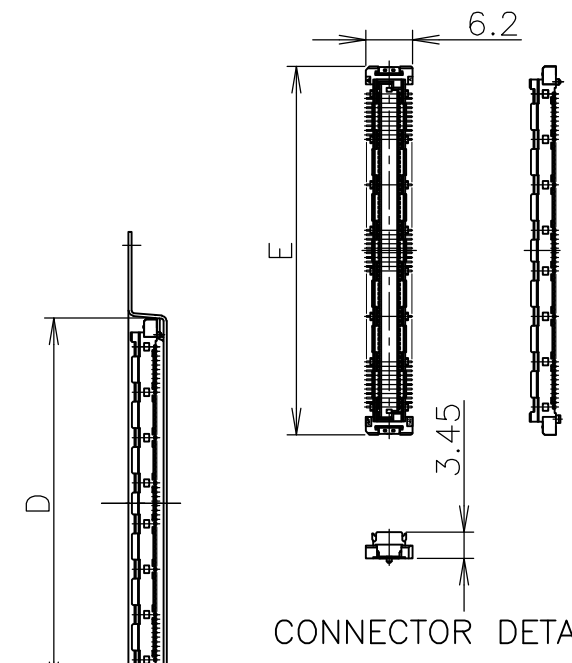
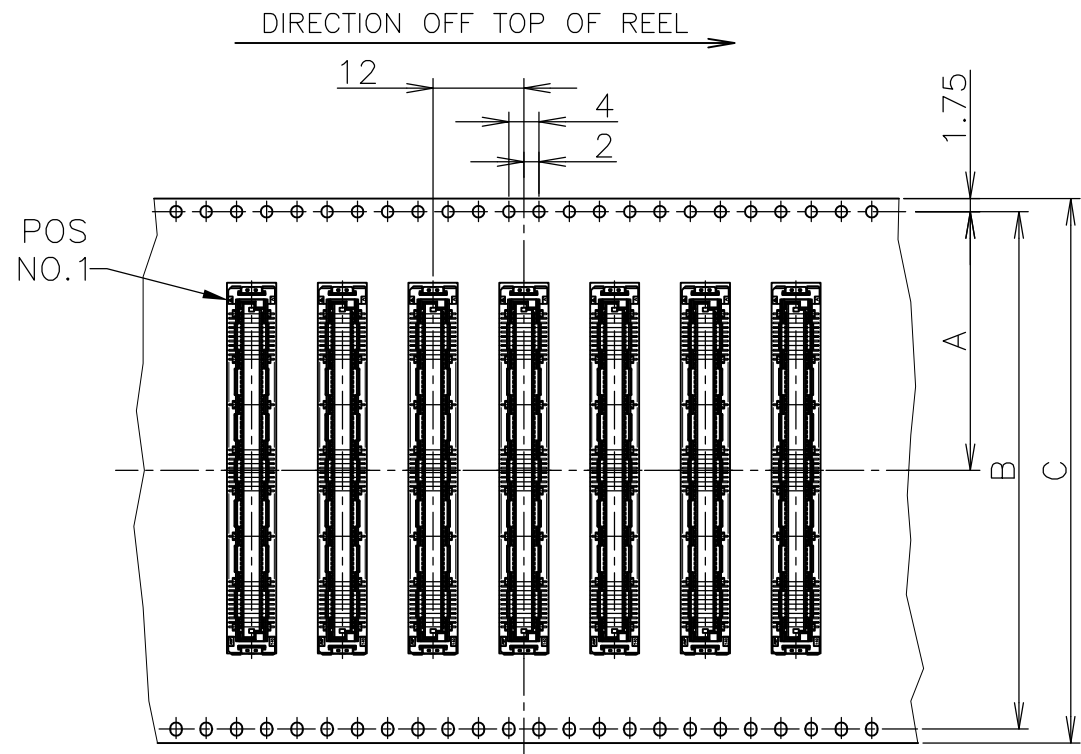


THIS DRAWING IS UNPUBLISHED. RELEASED FOR PUBLICATION JUN , 1996.  
 © COPYRIGHT 1996 BY TYCO ELECTRONICS CORPORATION. ALL RIGHTS RESERVED.

LOC	DIST	REVISIONS			DATE	DWN	APVD
J		P	LTR	DESCRIPTION			
		B	REVISED	ECR-08-000339	01FEB08	T.T	T.F



HOUSING COLOR	SEALANT	TOOLING STATUS	QTY.	W	E	D	C	B	A	POS.	PART NO.	
BLACK	SEALANT	AVAILABLE	1000	77.5	48.7	49	72	68.4	34.2	140	8-5353183-0	
		NOT AVAILABLE		77.5	54.7	55	72	68.4	34.2	160	6-5353183-1	
		AVAILABLE		77.5	48.7	49	72	68.4	34.2	140	6-	
		NOT AVAILABLE		61.5	42.7	43	56	52.4	26.2	120	5-	
		AVAILABLE		61.5	36.7	37	56	52.4	26.2	100	5-	
		NOT AVAILABLE		61.5	33.7	34	56	52.4	26.2	90	5-	
	NATURAL	SEALANT			49.5	30.7	31	44	40.4	20.2	80	5-
					49.5	27.7	28	44	40.4	20.2	70	5-
					49.5	24.7	25	44	40.4	20.2	60	5-
					37.5	21.7	22	32	28.4	14.2	50	5-
					37.5	18.7	19	32	28.4	14.2	40	5-
					29.5	15.7	16	24	11.5	30		
NON SEALANT		NOT AVAILABLE	1000	29.5	15.7	16	24	11.5	30		5-5353183-1	
		NOT AVAILABLE	1000	77.5	54.7	55	72	68.4	34.2	160	1-5353183-1	
		AVAILABLE		77.5	48.7	49	72	68.4	34.2	140	1-	
		NOT AVAILABLE		61.5	42.7	43	56	52.4	26.2	120		
		AVAILABLE		61.5	36.7	37	56	52.4	26.2	100		
		NOT AVAILABLE		61.5	33.7	34	56	52.4	26.2	90		
NON SEALANT			49.5	30.7	31	44	40.4	20.2	80			
			49.5	27.7	28	44	40.4	20.2	70			
			49.5	24.7	25	44	40.4	20.2	60			
			37.5	21.7	22	32	28.4	14.2	50			
			37.5	18.7	19	32	28.4	14.2	40			
			29.5	15.7	16	24	11.5	30				

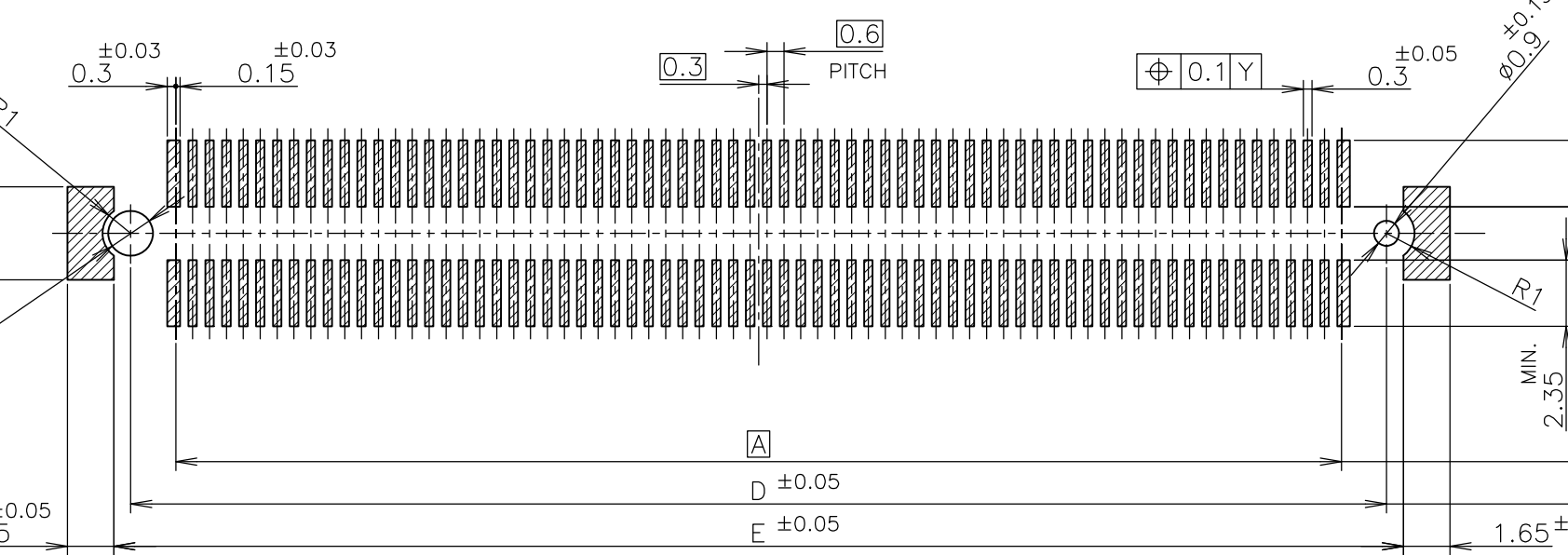
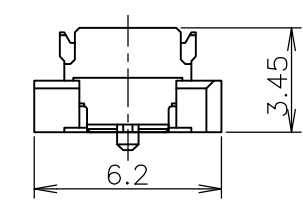
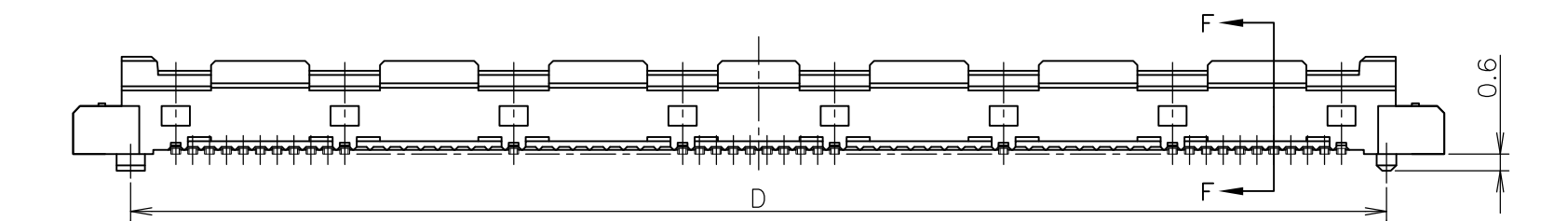
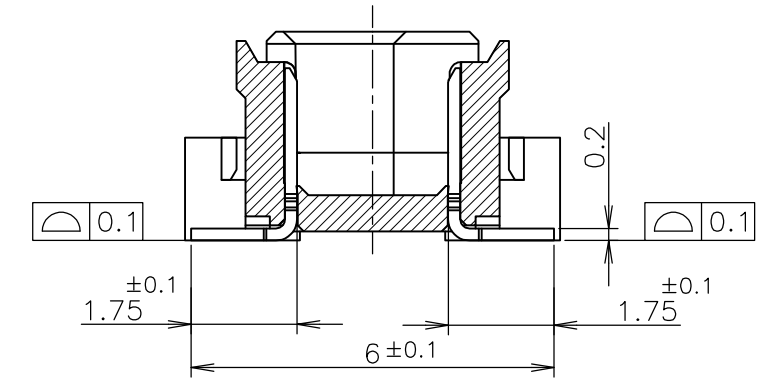
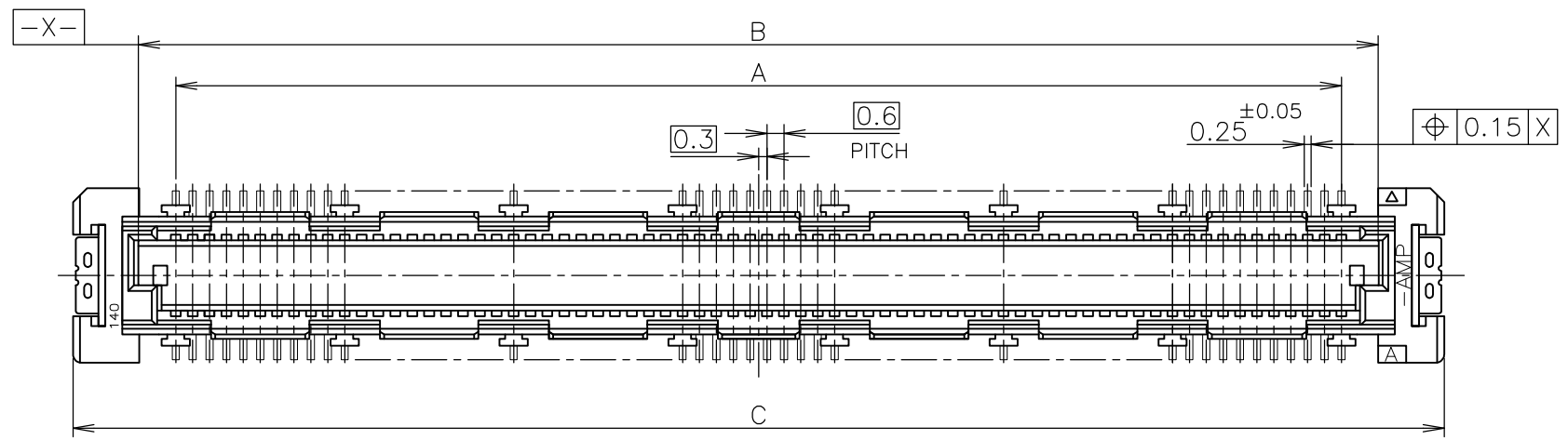
THIS PRODUCT WAS COATED BY FLUX-PENETRATION -INHIBITING AGENT.

THIS DRAWING IS A CONTROLLED DOCUMENT.

DIMENSIONS: 単位: 耗 mm	TOLERANCES UNLESS OTHERWISE SPECIFIED: 一般公差	DWN HAWKING HE 20DEC04	Tyco Electronics Corporation Kawasaki, Japan
		CHK STEVEN YAO 20DEC04	
		APVD I.ENOMOTO 20DEC04	EMBOSS ASSY FH 0.6BTB CONNECTOR PLUG 4H STD TYPE
		PRODUCT SPEC 製品規格 108-60047	
		APPLICATION SPEC 取付適用規格 114-5255	RESTRICTED TO
MATERIAL 材料	FINISH 仕上	WEIGHT	SIZE A3 CAGE CODE 00779 DRAWING NO. G-5353183
CUSTOMER DRAWING			SCALE 1:1 SHEET 1 OF 2 REV B

THIS DRAWING IS UNPUBLISHED. RELEASED FOR PUBLICATION JUN ,1996.  
 © COPYRIGHT 1996 BY TYCO ELECTRONICS CORPORATION. ALL RIGHTS RESERVED.

LOC	DIST	REVISIONS					
J		P	LTR	DESCRIPTION	DATE	DWN	APVD
				SEE SHEET 1			



△ MATERIAL ; HOUSING : HIGH TEMP THERMO PLASTIC UL94V-0  
 CONTACT : COPPER ALLOY  
 △ FINISH ; UNDER PL Ni 0.0013mm MIN ALL OVER.  
 CONTACT AREA 0.0002 MIN Au PL.  
 SOLDERING AREA 0.001 MIN TIN PL.

REFERENCE P.C.BOARD LAYOUT

ACTIVE	AVAILABLE	51.8	50.6	54.7	50	47.4	160
ACTIVE	AVAILABLE	45.8	44.6	48.7	44	41.4	140
OBSOLETE	NOT AVAILABLE	39.8	38.6	42.7	38	35.4	120
ACTIVE	AVAILABLE	33.8	32.6	36.7	32	29.4	100
OBSOLETE	NOT AVAILABLE	30.8	29.6	33.7	29	26.4	90
OBSOLETE	NOT AVAILABLE	27.8	26.6	30.7	26	23.4	80
ACTIVE	AVAILABLE	24.8	23.6	27.7	23	20.4	70
ACTIVE	AVAILABLE	21.8	20.6	24.7	20	17.4	60
ACTIVE	AVAILABLE	18.8	17.6	21.7	17	14.4	50
OBSOLETE	NOT AVAILABLE	15.8	14.6	18.7	14	11.4	40
OBSOLETE	NOT AVAILABLE	12.8	11.6	15.7	11	8.4	30
STATUS	TOOLING STATUS	E	D	C	B	A	POS

THIS DRAWING IS A CONTROLLED DOCUMENT.		DWN		Tyco Electronics Corporation	
DIMENSIONS: 単位: 耗 mm		CHK		Tyco Electronics Corporation	
TOLERANCES UNLESS OTHERWISE SPECIFIED: 一般公差		APVD		Kawasaki, Japan	
0 PLC ± 0.3		PRODUCT SPEC 製品規格		NAME 名称	
1 PLC ± 0.3		APPLICATION SPEC 取付適用規格		EMBOSS ASSY	
2 PLC ± 0.3		WEIGHT		FH 0.6BTB CONNECTOR	
3 PLC ± 0.3		SIZE		PLUG 4H STD TYPE	
4 PLC ± 0.3		CAGE CODE		DRAWING NO	
ANGLES ± 3'		A300779		G-5353183	
FINISH 仕上		RESTRICTED TO		SCALE 尺度 4:1	
△ 1		CUSTOMER DRAWING		SHEET 2 OF 2	
△ 2		REV B			